

NOTE: BEFORE CUTTING COUNTERTOP ALLOW

FINISHED WALL / BACK SPLASH

2" MIN
51 mm
FOR HANDLE CLEARANCE

CENTERLINE OF FITTING

2-1/2"
64 mm

NP-U191307

**CUT-OUT TEMPLATE
UNDERCOUNTER LAVATORY**

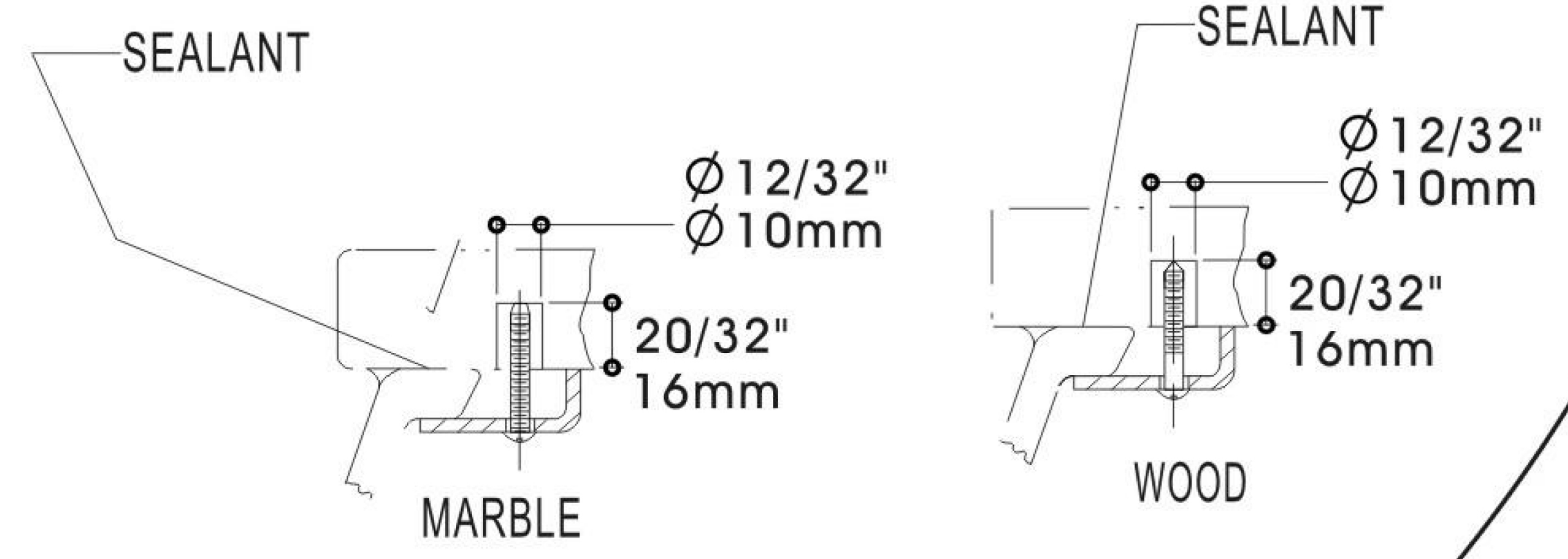
13-3/8"
340 mm

RIM OF LAVATORY

CLIP LOCATIONS

When plotting template full size: Make sure horizontal and vertical dimensions match the dimensions labeled on the template.

16-17/32"
420 mm



INSTALLATION

CUT ALONG THIS LINE